

Sizes: R 110, R 150, R 200, R 250, R 250v

Version:

- Rolling diaphragm or
- Rotary actuator

Travel:

- 128 to 200 mm

Opening angle:

- 75°

Spring position:

- Centrally arranged spring

Diaphragm area:

- 87 to 471 cm²

Spring torques:

- 28 to 783 Nm

Supply air range:

- 3 to 6 bar

Ambient temperature range:

- -40 to 80 °C / -40°F to 176 °F

Mounting of accessories:

- VDI/VDE 3845

Principle of operation:

The Type R Actuator is equipped with a rolling diaphragm and a centrally arranged return spring on the inside. The freely supported piston rod is directly connected to the lever for the valve shaft.

The very long travel ensures high torques and very fine control. Its design allows the actuator to be used on valves or butterfly valves with different opening angles.

The actuator can be equipped with additional manual gears as well as end stops.



Fig. 1: Type R Actuator



Fig. 2: Type R Actuator with mounted positioner

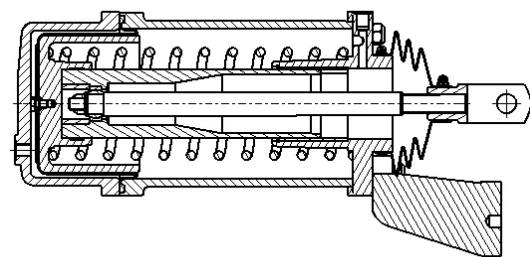


Fig. 3: Sectional drawing of Type R Actuator

Table 1: Technical data



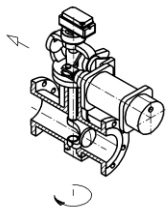
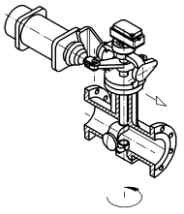
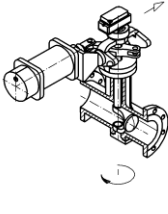
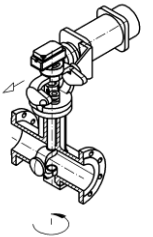
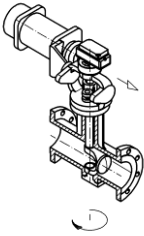
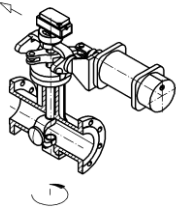
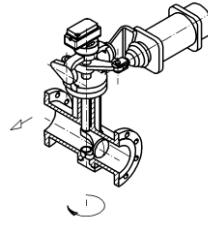
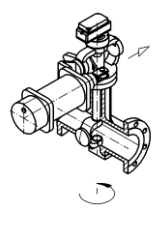
Type	R 110	R 150	R 200	R 250	R 250v
Version	Rolling diaphragm				
Spring position	Centrally arranged				
Opening angles (°)	75°				
Travel (mm)	128	184	200	200	200
Diaphragm area (cm ²)	87	165	299	471	471
Spring range (bar)	0.4 to 1.2				1.3 to 2.4
Spring torque (Nm)	28	77	152	241	783
Supply air range (bar)	3 - 6				
Temperature range (°C/°F)	-40 to 80 °C or -40°F to 176 °F				
Weight (with yoke) (kg)	16	27	47	72	95
Manual gear	 Shaft of manual gear			 Manual gear	

Fig. 4: Attachment types

 Attachment type A Fail-close	 Attachment type A Fail-open	 Attachment type B Fail-close	 Attachment type B Fail-open
 Attachment type C Fail-close	 Attachment type C Fail-open	 Attachment type D Fail-close	 Attachment type D Fail-open