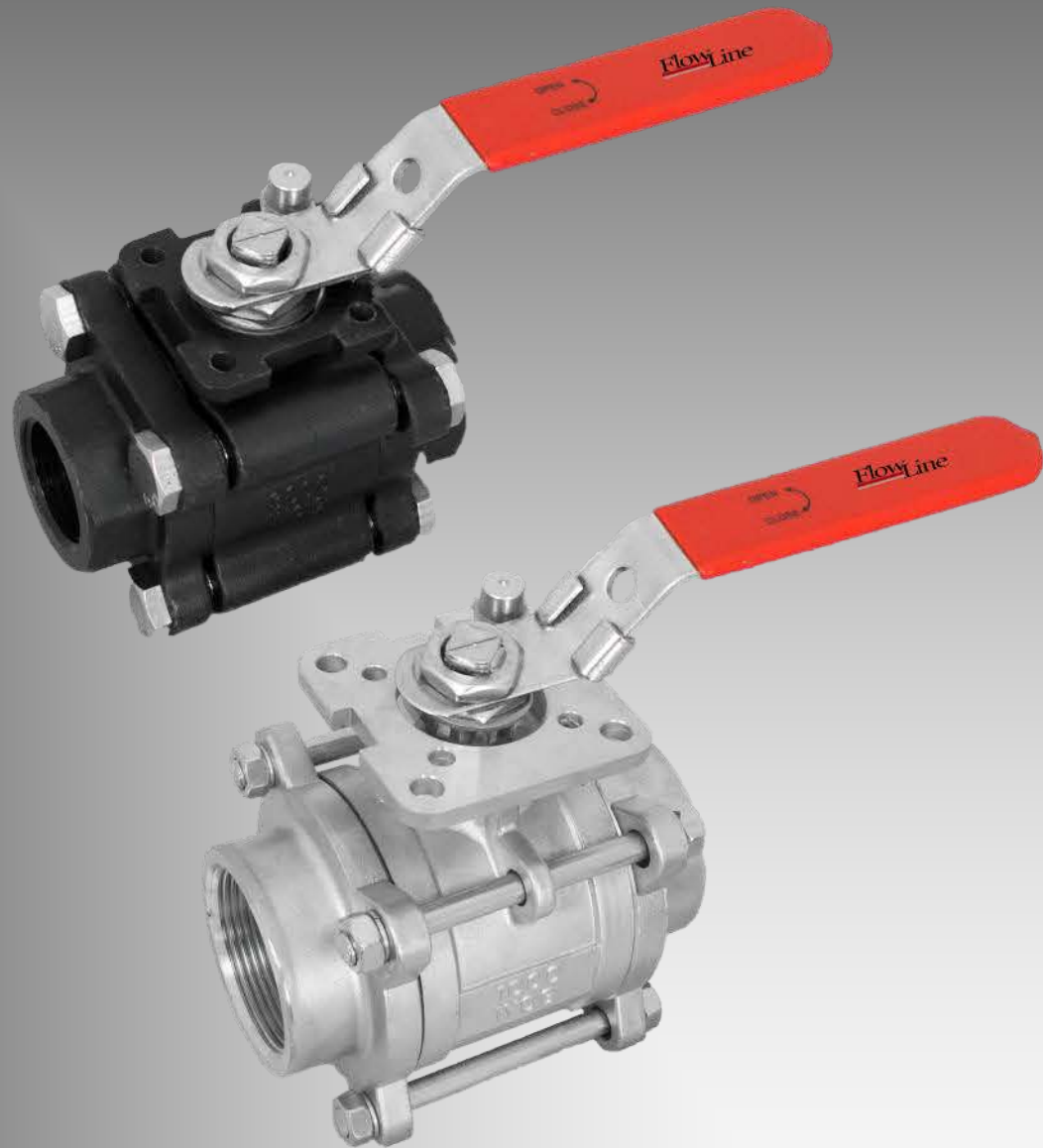


FlowLine *Series 62*

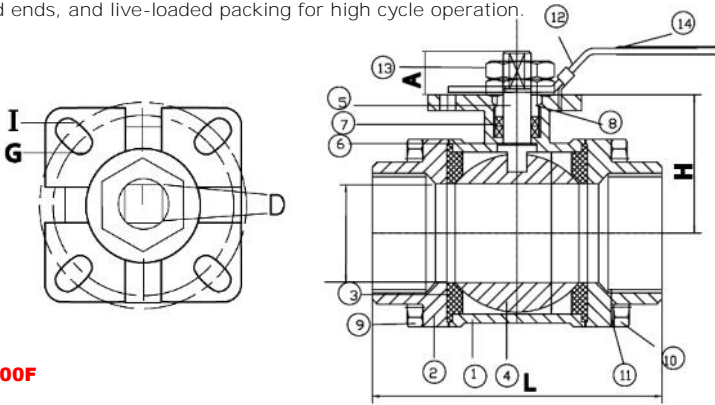


ISO 5211 Mount 3 Piece Body

Sizes 1/4" - 4"

ENGINEERING

Flow Line **Series 62** Ball Valves have the following features: Size range of 1/4" to 4", ISO 5211 mounting pad, 3 piece investment cast stainless steel or carbon steel body, screwed, butt, or socket weld ends, and live-loaded packing for high cycle operation.



DIMENSIONS: 1000F

Size	1/4"	3/8"	1/2"	3/4"	1"	1 1/4"	1 1/2"	2"	2 1/2"	3"	4"
L	2.56	2.56	2.91	3.35	3.58	4.41	4.72	5.71	6.69	8.19	10.47
H	1.42	1.42	1.42	1.61	1.77	2.17	2.56	2.91	4.33	4.80	5.67
A	.35	.35	.47	.47	.55	.55	.55	.67	.67	.67	.79
D	9mm	9mm	9mm	9mm	11mm	11mm	14mm	14mm	17mm	17mm	17mm
G	F03	F03	F03	F03	F04	F04	F05	F05	F07	F07	F07
I	F04	F04	F04	F04	F05	F05	F07	F07	F10	F10	F10

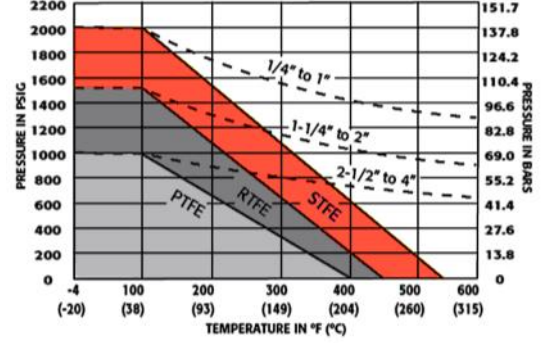
MATERIALS

1	Body	304SS / 316SS / 216WCB	8	Lever Nut	304SS
2	End Cap	304SS / 316SS / 216WCB	9	Bolts	304SS
3	Seat	RTFE / PTFE	10	Bolt Nuts	304SS
4	Ball	304SS / 316SS	11	Spring Washer	304SS
5	Stem	304SS / 316SS	12	Handle	304SS
6	Gasket	304SS	13	Handle Nut	304SS
7	Seal	PTFE	14	Handle Cover	Vinyl

HOW TO ORDER

Series	Size	Pressure	Connection	Body	Ball/Shaft	Seat/Packing	Mounting	Operator
1	2	3	4	5	6	7	8	9
1 Series	62	3 Piece						
2 Valve Size	0014	1/4"						
	0038	3/8"						
	0012	1/2"						
	0034	3/4"						
	0001	1"						
	0114	1 1/4"						
	0112	1 1/2"						
	0002	2"						
	0025	2 1/2"						
	0003	3"						
	0004	4"						
3 Pressure	1	1000R						
	2	2000R						
	3	3000R						
	5	5000R						
	6	6000R						
	7	1000F						
	8	2000F						
	9	3000F						
4 Connection	7	Butt Weld 80mm						
	8	Socket Weld						
	9	NPT						
5 Body	3	316 Stainless Steel						
	4	304 Stainless Steel						
	5	216 WCB Carbon Steel						
6 Ball/Shaft	3	316 Stainless Steel						
	4	304 Stainless Steel						
7 Seat/Packing	1	PTFE / PTFE						
	2	RTFE / PTFE						
8 Mounting	8	Non-ISO						
	9	ISO Actuator Ready						
9 Operator	0	Less Handle						
	1	Handle						
	3	Pneumatic Actuator						
	4	Electric Actuator						

Pressure vs. Temperature Chart
for Valve 1/4" to 4"



Size	1000 Lbs.	3000 Lbs.	Size	1000 Lbs.	3000 Lbs.
1/4"	27	70	1 1/2"	284	300
3/8"	36	70	2"	355	420
1/2"	54	75	2 1/2"	532	560
3/4"	80	100	3"	797	900
1"	124	145	4"	1151	1500
1 1/4"	195	220			

WEIGHT: 1000F

Size	Weight	Cv
1/4"	1	10
3/8"	1	18
1/2"	1.1	24
3/4"	1.98	55
1"	2.64	100
1 1/4"	3.96	160
1 1/2"	5.5	260
2"	8.8	450
2 1/2"	15.18	720
3"	25.93	1100
4"	50.82	2200

APPLICABLE STANDARDS

ANSI B16.34	BS 5351
ANSI B16.25	BS 6755
ANSI B16.11	MSS SP25
ANSI B1.20.1	MSS SP72
API 6D 598	ISO 5211
NACE MRO-175	

EXAMPLE:

4"	316 SS Body	ISO
1000psi Full Port	316 SS Ball/Shaft	Handle
NPT	RTFE Seat / PTFE Packing	
Series	Size	Trim
62	0004	7933291

FlowLine

110 Main Project Rd. Schriever, LA 70395
Phone (985) 414-6004 Fax (985) 414-6072
Toll 800-815-9556

www.flowlinevalves.com

©Flow Line

Doc#62042115