

# XOMOX<sup>®</sup>

brands you trust.



XLD - Lined Butterfly Valve Series

**CRANE**<sup>®</sup>

Crane ChemPharma & Energy

[www.cranecpe.com](http://www.cranecpe.com)

## PERFORMANCE We listened to our most demanding critics: Our customers. Here's our response.

### ANSI Class 150/PN10 valve design!



- **Lower torque ratings**

enable the use of smaller, less expensive actuators

- **The seal to atmosphere**

is assured by using the triple FKM O-rings around the base of the shaft

- **A wide sealing face**

prevents leakage at the flange

- **Improved disc design**

assures better stability

- **Temperature Range**

-20° C to 200° C  
253 K to 473 K  
-4° F to 392° F

- **Pressure Range**

Suitable for vacuum service  
(3 mbar / 0.043 psi)  
Shut-off Pressure max. 150 psi/10 bar

- **ISO 5211 Mounting Pad**

Allows the option of bracket or direct mounting of operators.  
Direct mounting ensures robust performance while providing compact system design.

- **Both the body and the shaft lining**

continue past the FKM-ring stem sealing components. The shaft and the seal components are protected from the flow media .

- **Better atmospheric corrosion resistance**

through high-end surface coating.

- **Materials**

Body: EN-JS1049 / ASTM A395 PFA lined  
Disc: 2"-12" EN-JS1049 / ASTM A395 & SS/Ti PFA lined  
14"-24": Fabricated Disc in SS Duplex+ CS PFA lined

## SAFETY You benefit... when experience meets design

**The revolutionary PTFE atmosphere seal** protects the top seal components and the shaft from atmospheric corrosion.

**Safety adjustment Packing Option**  
Upon request.

**Belleville disc springs**

provide live loading to ensure a tight top seal.

**Triple FKM-ring backup-seals**

provide a second, third and fourth line of protection against atmospheric leakage.

**Blow-out proof design**

Stem and disc are one simple part combined with the anti-blow-out system. (API 609 compliant.)

**The extended body lining**

assures optimum protection of the FKM-rings from corrosive media. These components are located behind the body liner extension. They are isolated from the media.

**The in-line resilient seal assembly**

assures optimum pressure distribution of the body liner to the disc assembly, providing tight sealing under all operating conditions. The wider seal-band provides a broader sealing area.

**Fully lined bottom shaft**

assures optimum corrosion resistance and eliminates a potential leakage path.

**Product naming**

XLD Series	Body	Flange
XLD11	WAFER	ANSI
XLD12		DIN
XLD13		JIS
XLD21	LUG	ANSI
XLD22		DIN
XLD23		JIS

## DIMENSIONS Butterfly Valve XLD

### All dimensions in inches

Valve Size	A	B	C	D	E	F	ØG	I	J	ØK	L	M	ØP	ØR	SW	ISO 5211
2"	1.69	3.19	5.24	1.18	6.42	0.12	3.94	6.61	4.69	0.63	0.98	M6	2.76	0.35	0.44	F07
3"	1.81	4.02	6.30	0.87	7.17	0.12	5.00	8.78	5.43	0.63	0.67	M6	2.76	0.35	0.44	F07
4"	2.05	4.72	6.69	1.02	7.72	0.12	6.02	10.51	6.06	0.63	0.83	M6	2.76	0.35	0.44	F07
5"	2.20	5.31	7.28	1.14	8.43	0.12	7.24	11.61	6.54	0.63	0.94	M6	2.76	0.35	0.44	F07
6"	2.20	5.71	7.99	0.98	8.98	0.12	8.35	12.64	7.09	1.00	0.79	M8	4.02	0.43	0.69	F10
8"	2.36	7.48	9.06	1.02	10.08	0.12	10.43	15.51	8.27	1.25	0.83	M8	4.02	0.43	0.81	F10
10"	2.68	9.17	10.16	1.02	11.18	0.12	12.76	18.19	9.09	1.25	0.83	M8	4.02	0.43	0.81	F10
12"	3.07	10.16	11.34	1.18	12.52	0.12	14.72	21.73	10.47	1.25	0.98	M8	4.92	0.55	0.81	F12
14"	3.62	13.90	16.42	1.50	17.91	0.12	16.33	22.68	13.58	1.42	1.38	M8	5.51	0.71	1.06	F14
16"	4.02	15.51	17.80	1.50	19.29	0.12	18.89	25.20	14.96	1.42	1.38	M8	5.51	0.71	1.06	F14
18"	4.49	16.14	18.50	2.36	20.87	0.20	20.86	26.61	15.47	1.89	2.17	M12	6.50	0.87	1.42	F16
20"	5.00	18.11	19.68	2.36	22.05	0.20	22.83	29.13	16.65	1.89	2.17	M12	6.50	0.87	1.42	F16
24"	6.06	20.47	22.05	2.56	24.61	0.20	26.92	34.65	18.43	2.36	2.44	M12	6.50	0.87	1.81	F16

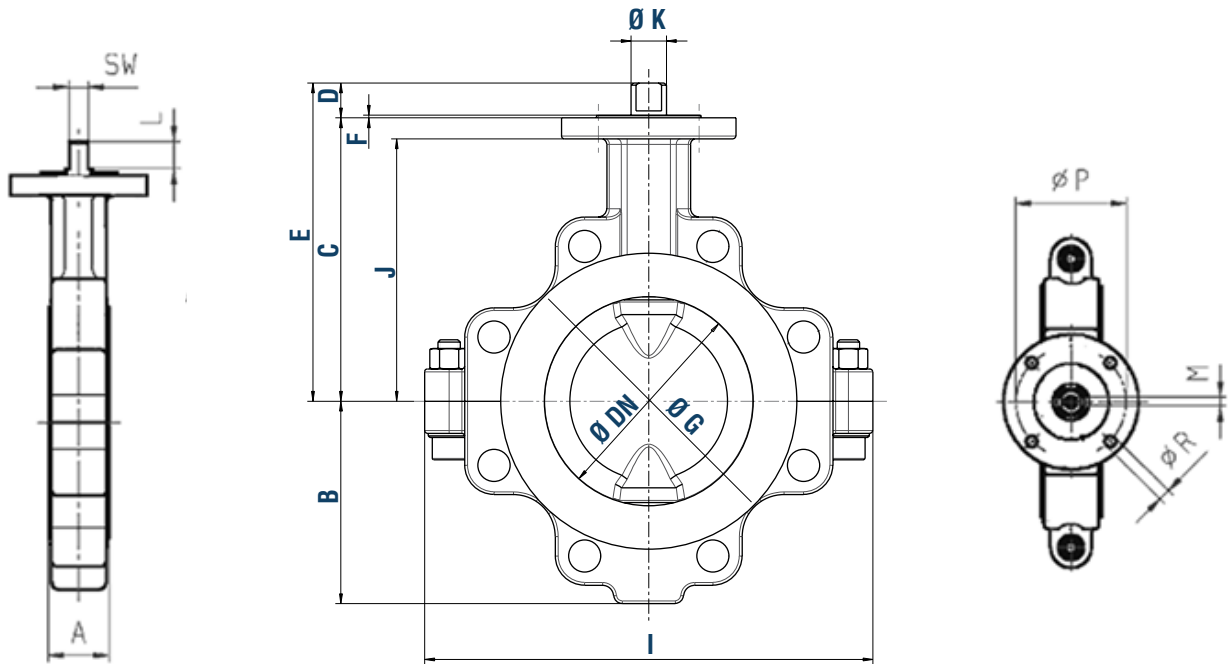
### All dimensions in mm

Valve Size	A	B	C	D	E	F	ØG	I	J	ØK	L	M	ØP	ØR	SW	ISO 5211
DN 50	43	81	133	30	163	3	100	168	119	15.9	25	M6	70	9	11.1	F07
DN 65	46	87	146	30	176	3	128	175	135	15.9	25	M6	70	9	11.1	F07
DN 80	46	102	160	22	182	3	127	223	138	15.9	17	M6	70	9	11.1	F07
DN 100	52	120	170	26	196	3	153	267	154	15.9	21	M6	70	9	11	F07
DN 125	56	135	185	29	214	3	184	295	166	15.9	24	M6	70	9	11.05	F07
DN 150	56	145	203	25	228	3	212	321	180	25.4	20	M8	102	11	17.5	F10
DN 200	60	190	230	26	256	3	265	394	210	31.8	21	M8	102	11	20.6	F10
DN 250	68	233	258	26	284	3	324	462	231	31.8	21	M8	102	11	20.6	F10
DN 300	78	258	288	30	318	3	374	552	266	31.8	25	M8	125	14	20.5	F12
DN 350	92	353	417	38	455	3	415	576	345	36	35	M8	140	18	27	F14
DN 400	102	394	452	38	490	3	480	640	380	36	35	M8	140	18	27	F14
DN 450	114	410	470	60	530	5	530	676	393	48	55	M12	165	22	36	F16
DN 500	127	460	500	60	560	5	580	740	423	48	55	M12	165	22	36	F16
DN 600	154	520	560	65	625	5	684	880	468	60	62	M12	165	22	46	F16

# DIMENSIONS Butterfly Valve XLD

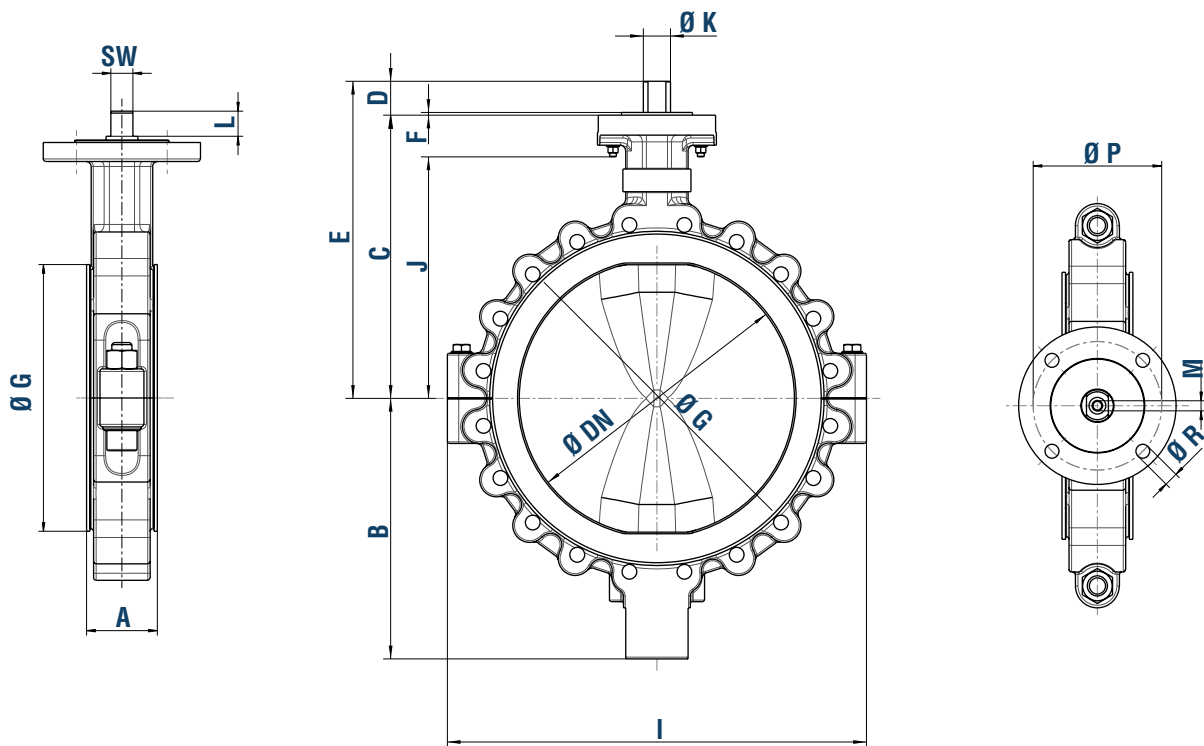
**DN 50-300**

2" - 12"



**DN 350-600**

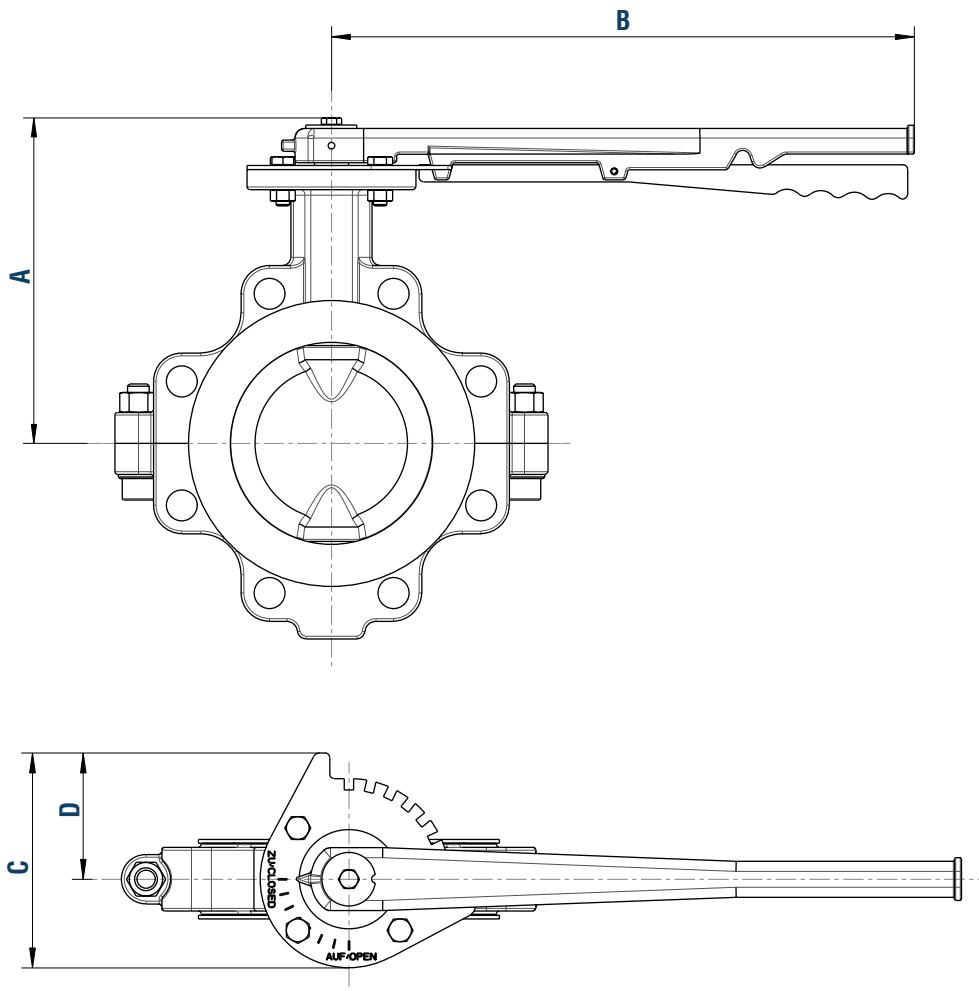
14" - 24"



## DIMENSIONS with latching lever

### All Dimensions in mm/inches

DN/Size	50/2"	65/2.5"	80/3"	100/4"	125/5"	150/6"	200/8"
<b>A</b>	173/6.81	186/7.32	192/7.56	208/8.19	225/8.86	245/9.65	301/11.85
<b>B</b>	356/14.02	356/14.02	356/14.02	356/14.02	356/14.02	432/17.01	432/17.01
<b>C</b>	134/5.28	134/5.28	134/5.28	134/5.28	134/5.28	134/5.28	134/5.28
<b>D</b>	89/3.50	89/3.50	89/3.50	89/3.50	89/3.50	89/3.50	89/3.50
<b>weight in kg/lbs</b>	8.5/18.74	9/19.84	9.5/20.94	11.5/25.35	14/30.86	17.5/38.58	27.5/60.63





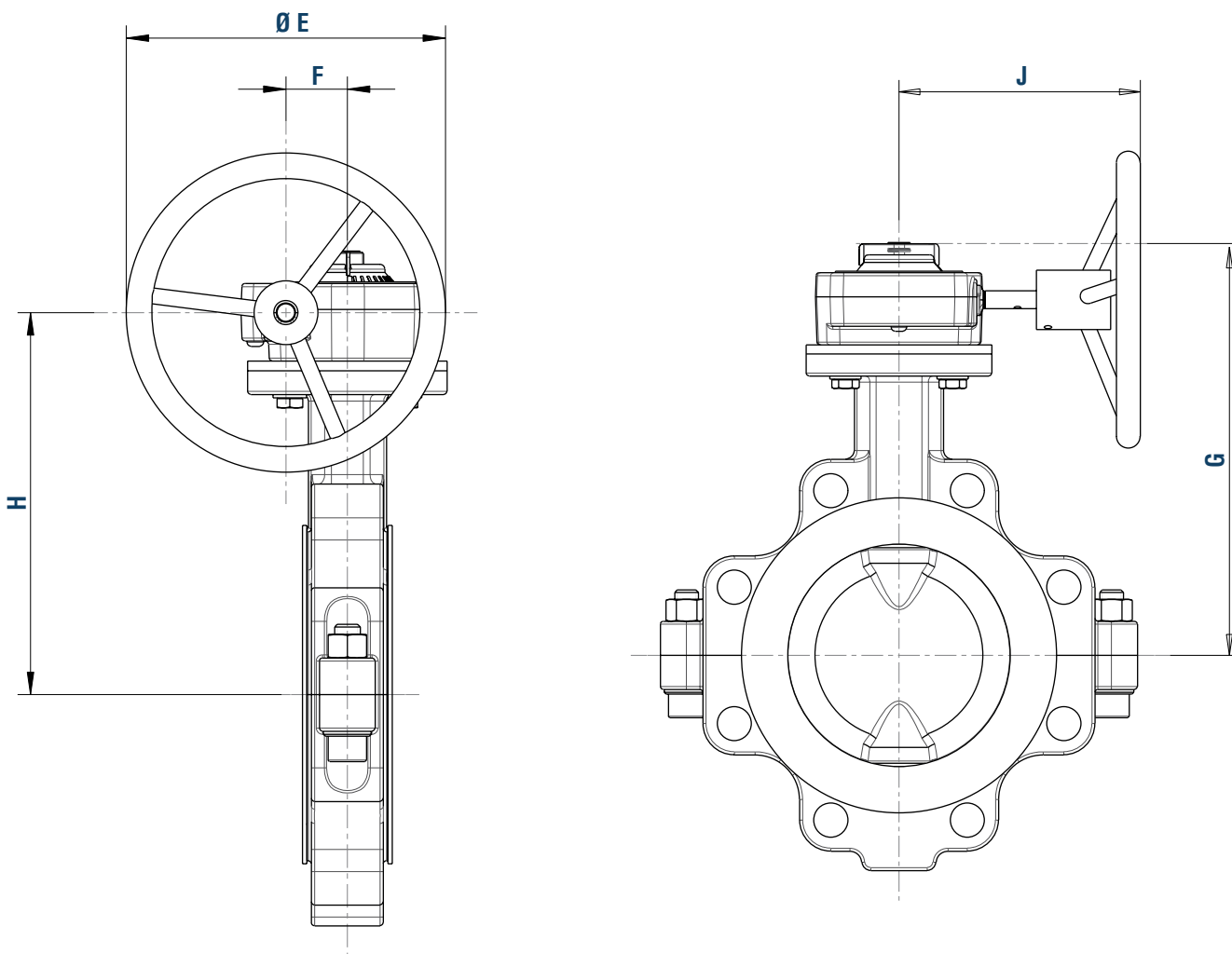
## DIMENSIONS with gear

### All Dimensions in mm/inches

DN/Size	50/2"	65/2.5"	80/3"	100/4"	125/5"	150/6"	200/8"	250/10"	300/12"
ØE	125/4.92	125/4.93	125/4.94	125/4.95	125/4.96	203/7.99	203/7.100	203/7.101	203/7.102
F	38.5/1.52	38.5/1.53	38.5/1.54	38.5/1.55	38.5/1.56	46.5/1.83	60/2.36	60/2.37	60/2.38
G	188/7.40	201/7.91	207/8.15	223/8.78	241/9.49	260/10.24	289/11.83	314/12.36	401/15.79
H	163/6.42	173/6.81	179/7.05	196/7.72	211/8.31	228/8.98	257/10.12	283/11.14	369/14.53
J	134/5.28	134/5.29	134/5.30	134/5.31	134/5.32	180/7.09	205.5/8.09	205.5/8.09	205.5/8.09
weight in kg/lbs	8/17.64	8.5/18.74	9/19.84	11/24.25	13.5/29.76	17.5/38.58	29.3/64.60	36/79.37	58/127.87

### Dimensions with gear

### DN 50-300, NPS 2" - 12"

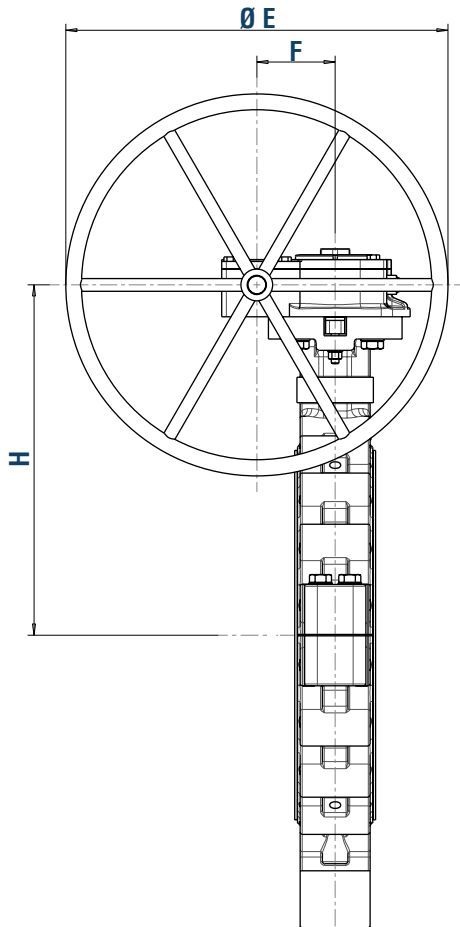


## DIMENSIONS with gear

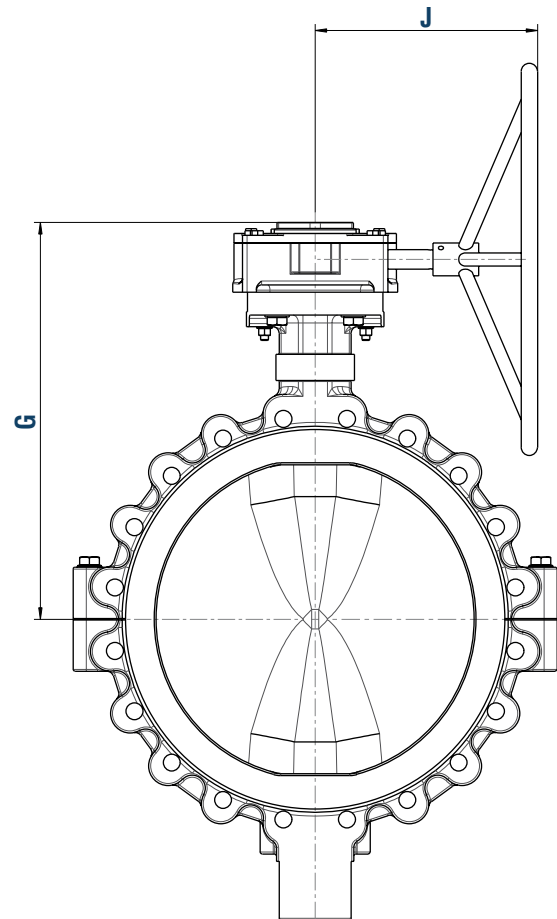
### All Dimensions in mm/inches

DN/Size	350/14"	400/16"	450/18"	500/20"	600/24"
ØE	457/17.99	457/17.100	457/17.101	610/24.02	610/24.02
F	66.7/2.63	66.7/2.64	89.5/3.52	123/4,84	123/4,84
G	498/19.61	533/20.98	563.5/22.19	605,5/23.83	665.5/26.2
H	459/18.07	494/19.44	520/20.47	550/21.65	610/24.02
J	223/8.78	223/8.78	278/10.94	310/12.20	310/12.20
weight in kg/lbs (incl.MG)	115/253,53	140/308,65	195/429.9	238/524,7	341/751,78

### Dimensions with gear



### DN 350 - 600 NPS 14" - 24"





# XLD Flow Characteristics

$K_v$  values in  $m^3/h$ ,  $C_v=1.156 K_v$

ANGLE of aperture	0°	9°	18°	27°	36°	45°	54°	63°	72°	81°	90°
ANGLE of aperture (%)	0	10	20	30	40	50	60	70	80	90	100
DN / NPS											
50 / 2"	0	0.62	2.6	12	30	65	95	135	165	170	180
80 / 3"	0	0.82	3.6	14.4	38	70	112	166	212	228	233
100 / 4"	0	1.5	5.8	22	55	102	177	296	408	464	486
125 / 5"	0	4.6	13	40	92	164	267	413	564	698	790
150 / 6"	0	12.12	31	82	183	296	415	595	834	1115	1445
200 / 8"	0	18.4	44	130	280	435	640	910	1282	1705	2227
250 / 10"	0	27.3	65	200	410	660	958	1345	1912	2550	3320
300 / 12"	0	40.7	99	295	596	965	1396	1975	2827	3795	4908
350 / 14"	0	68	216	413	720	1225	1944	2890	4104	5520	7200
400 / 16"	0	90	268	518	895	1535	2416	3663	5100	6960	8950
450 / 18"	0	116	340	660	1135	1934	3065	4610	6470	8810	13350
500 / 20"	0	164	415	822	1390	2400	3750	5670	7925	10700	13900
600 / 24"	0	231	570	1060	1900	3250	5130	7790	10830	14440	19000

DN 65 NPS 2.5" on request

## Valve coefficients for process control: DN 50-200 / NPS 2-8

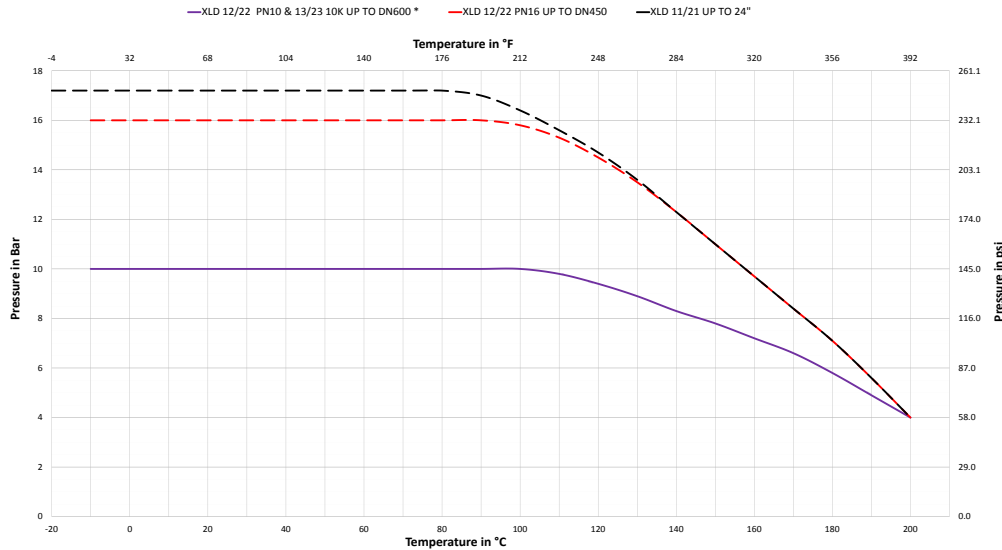
ANGLE of aperture	9°	18°	27°	36°	45°	54°	63°	72°	81°	90°
Rated travel	0.10	0.20	0.30	0.40	0.50	0.60	0.70	0.80	0.90	1.00
Recovery Factor $F_L$	0.85	0.85	0.85	0.85	0.81	0.73	0.67	0.61	0.59	0.55
Factor $F_L^2$	0.72	0.72	0.72	0.72	0.66	0.53	0.45	0.37	0.35	0.30
Valve characteristic $z_y$	0.47	0.47	0.47	0.47	0.43	0.37	0.33	0.28	0.27	0.24
Pressure differential ratio $\kappa_T$	0.61	0.61	0.61	0.61	0.55	0.45	0.38	0.31	0.29	0.25
Valve style modifier $F_d$	0.08	0.15	0.23	0.31	0.38	0.45	0.52	0.58	0.64	0.70

## Valve coefficients for process control: DN 250 - 600 / NPS 10-24

ANGLE of aperture	9°	18°	27°	36°	45°	54°	63°	72°	81°	90°
Rated travel	0.10	0.20	0.30	0.40	0.50	0.60	0.70	0.80	0.90	1.00
Recovery Factor $F_L$	0.80	0.82	0.82	0.82	0.78	0.67	0.56	0.51	0.48	0.42
Factor $F_L^2$	0.64	0.67	0.67	0.67	0.61	0.45	0.31	0.26	0.23	0.18
Valve characteristic $z_y$	0.43	0.44	0.44	0.44	0.41	0.33	0.25	0.22	0.20	0.16
Pressure differential ratio $\kappa_T$	0.54	0.56	0.56	0.56	0.51	0.38	0.26	0.22	0.19	0.15
Valve style modifier $F_d$	0.08	0.15	0.23	0.31	0.38	0.45	0.52	0.58	0.64	0.70

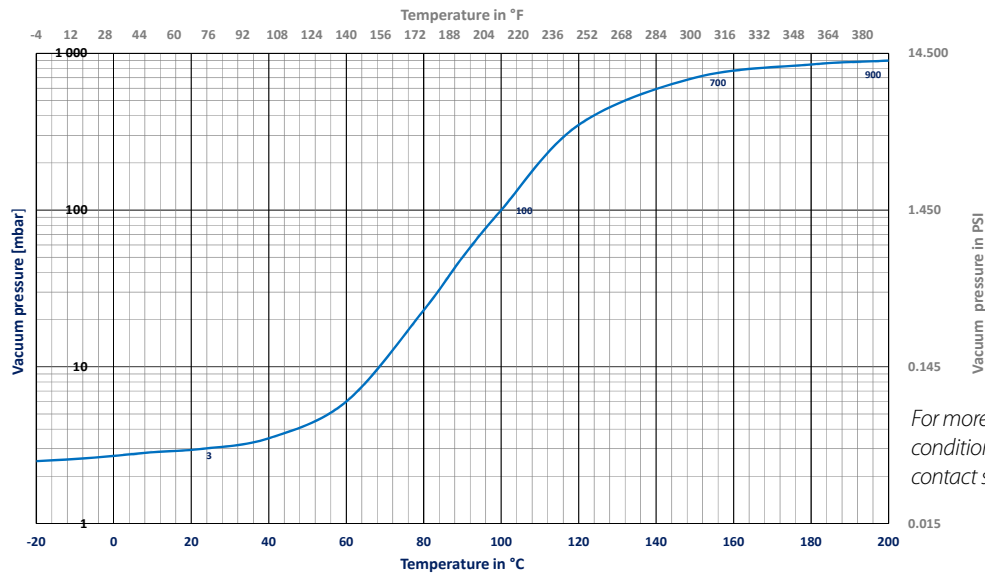
# XLD Pressure/Temperature Ratings & Valve Torques

## XLD Pressure/Temperature Rating



Note: Max. differential operating pressure limited to maximum of 10bar for all sizes  
 \* XLD 13 / 23 10K UPTO DN500

## All XLD in Vacuum Condition



For more details of vacuum conditions for specific sizes, contact site

Valve Size		DN 50/2"	DN 80/3"	DN 100/4"	DN 125/5"	DN 150/6"	DN 200/8"	DN 250/10"	DN 300/12"	DN 350/14"	DN 400/16"	DN 450/18"	DN 500/20"	DN 600/24"
Break-away Torque *1	Nm	35	35	50	62	94	209	242	308	900	1300	1700	2700	4000
	in. lbs	310	310	443	549	832	1850	2142	2726	7966	11506	15046	23897	35403
Max. allowable Torque *2	Nm	162	162	162	162	296	628	628	628	2432	2432	5655	5765	11649
	in. lbs	1434	1434	1434	1434	2620	5558	5558	5558	21525	21525	50051	51024	103093

DN 65 NPS 2.5» on request

\*1 Identical torque at opening and closing, running torque = 40% of break away torque.

\*2 Max. permissible torque with Material EN-JS1049 up to DN300 & with 1.4462 SS from DN 350 onwards.

# XLD Lined Butterfly Valve Applications

## CRANE ChemPharma & Energy, XOMOX® XLD Lined Butterfly Valve - Performance Chart

FUNCTION	On / Off	●
	Throttling	●
	Diversion	●
MEDIA TYPES	Clean Liquids & Gases	●
	Dirty Liquids & Gases	●
	Corrosive Liquids & Gases	●
	Hazardous Liquids & Gases	●
	Viscous Liquids	●
	Scaling Liquids & Slurries	●
	Abrasive Slurries	●
	Fibrous Slurries	●
	Dry Materials	●
	Vacuum Service	●
APPLICATION REQUIREMENTS	High Flow Capacity	●
	Low Torque	●
	Fugitive Emissions Control	●
	Reduced Maintenance	●
	Extended Service Life	●
	Sizes	2"-24" DN50-DN600
	Pressure Ratings	Class 150 / PN 10 PN 20
	High Temperature (ASME/EN)	200°C / 392°F
	Low Temperature (EN)	-10°C / 14°F
	Low Temperature (ASME)	-20°C / -4°F
	Key Benefit	Safety / Economy

- Superior Performance
- Limited Application
- Not Applicable

Source: CRANE Engineering

XLD valves offer economical solutions for the vast majority of chemical applications while maintaining the highest possible degree of performance in terms of in-line leakage and fugitive emissions.

### XLD valves are commonly used within the following industries:

- Chlor-Alkali
- Industrial Inorganic Chemicals
- Metal and Mining
- Nitrogen and Phosphatic Fertilizers
- Petroleum Refining
- Pharmaceutical

### Within these industries, XLD valves have superior performance in the following applications:

- Chlorine
- Benzene
- Bromine
- Sulfuric Acid
- Nitric Acid
- Hydrochloric Acid
- Phosphoric Acid
- Sea Water



Visit our website, [www.cranecpe.com](http://www.cranecpe.com), to view these and other lined products, applications, brochures, certification, documents and more.

# XOMOX®

Crane ChemPharma & Energy  
XOMOX Headquarters  
4444 Cooper Road,  
Cincinnati, OH 45242, U.S.A.  
Phone: (513) 745-6000  
Fax: (513) 745-6086  
www.cranecpe.com

**CRANE®**

XOMOX International GmbH & Co. OHG  
Von-Behring-Straße 15,  
D-88131 Lindau/Bodensee  
Tel.: (49) 8382-702-0  
Fax. (49) 8382-702-144

## brands you trust.



**COMPAC-NOZ®**

**CRANE®**

**DEPA®**

**ELRO® DUO-CHEK®**



**KROMBACH  
ARMATUREN**

**NOZ-CHEK®**



**RESISTOFLEX®**



**Saunders®**  
*the science inside*

**STOCKHAM®**



**UNI-CHEK®**

**w.ta.®**

**XOMOX®**

Crane Co., and its subsidiaries cannot accept responsibility for possible errors in catalogues, brochures, other printed materials, and website information. Crane Co. reserves the right to alter its products without notice, including products already on order provided that such alteration can be made without changes being necessary in specifications already agreed. All trademarks in this material are property of the Crane Co. or its subsidiaries. The Crane and Crane brands logotype, in alphabetical order, (ALOYCO®, CENTER LINE®, COMPAC-NOZ®, CRANE®, DEPA®, DUO-CHEK®, ELRO®, FLOWSEAL®, JENKINS®, KROMBACH®, NOZ-CHEK®, PACIFIC VALVES®, RESISTOFLEX®, REVO®, SAUNDERS®, STOCKHAM®, TRIANGLE®, UNI-CHEK®, WTA®, and XOMOX®) are registered trademarks of Crane Co. All rights reserved.